



# MIXER STANDS

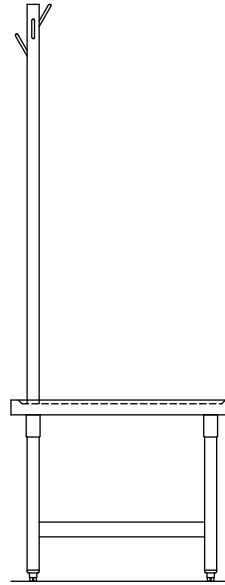
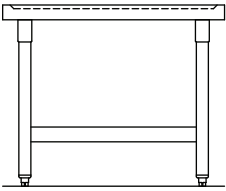
STAINLESS STEEL TOP - STAINLESS UNDERSHELF  
OR GALVANIZED UNDERSHELF

Item #:

Qty #:

Model #:

Project #:



## MIXER STAND FEATURES:

- Available with stainless steel or galvanized base
- Top: 16 gauge type 304 stainless steel
- Legs: 1 5/8" O.D. stainless steel tubing with adjustable bullet feet
- Undersheff: 18 gauge stainless steel or galvanized
- Raised marine edge to contain equipment

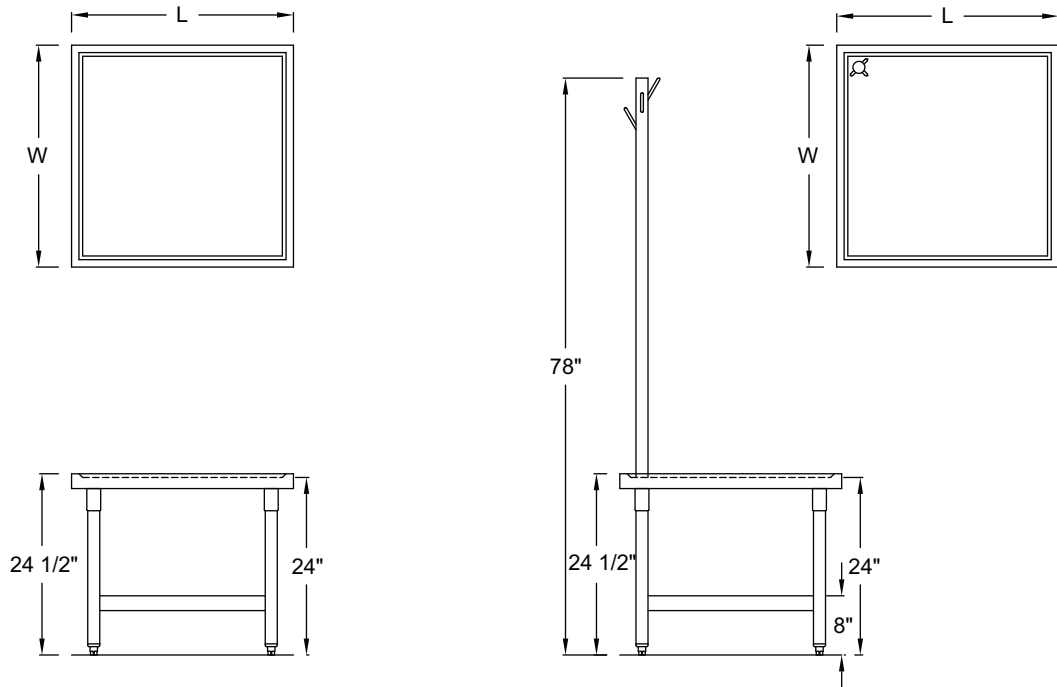
### MIXER STAND FEATURES: WITHOUT UTENSIL TREE

DIMENSIONS		PARAMOUNT		STANDARD	
WIDTH	LENGTH	MODEL	WT.	MODEL	WT.
24"	24"	RJ-MS-S-2424	45	RJ-MS-SG-2424	45
	30"	RJ-MS-S-2430	50	RJ-MS-SG-2430	50
30"	30"	RJ-MS-S-3030	55	RJ-MS-SG-3030	55
	36"	RJ-MS-S-3036	60	RJ-MS-SG-3036	65

### MIXER STAND FEATURES: WITH UTENSIL TREE

DIMENSIONS		PARAMOUNT		STANDARD	
WIDTH	LENGTH	MODEL	WT.	MODEL	WT.
24"	24"	RJ-MS-S-T-2424	55	RJ-MS-SG-T-2424	55
	30"	RJ-MS-S-T-2430	60	RJ-MS-SG-T-2430	60
30"	30"	RJ-MS-S-T-3030	65	RJ-MS-SG-T-3030	55
	36"	RJ-MS-S-T-3036	75	RJ-MS-SG-T-3036	65

# DIMENSIONS & SPECIFICATIONS



## MIXER STAND FEATURES: WITHOUT UTENSIL TREE

STAINLESS STEEL UNDERSHELF			GALVANIZED UNDERSHELF		
MODEL	W	L	MODEL	W	L
RJ-MS-S-2424	24"	24"	RJ-MS-SG-2424	24"	24"
RJ-MS-S-2430	24"	30"	RJ-MS-SG-2430	24"	30"
RJ-MS-S-3030	30"	30"	RJ-MS-SG-3030	30"	30"
RJ-MS-S-3036	30"	36"	RJ-MS-SG-3036	30"	36"

## MIXER STAND FEATURES: WITH UTENSIL TREE

STAINLESS STEEL UNDERSHELF			GALVANIZED UNDERSHELF		
MODEL	W	L	MODEL	W	L
RJ-MS-S-T-2424	24"	24"	RJ-MS-SG-T-2424	24"	24"
RJ-MS-S-T-2430	24"	30"	RJ-MS-SG-T-2430	24"	30"
RJ-MS-S-T-3030	30"	30"	RJ-MS-SG-T-3030	30"	30"
RJ-MS-S-T-3036	30"	36"	RJ-MS-SG-T-3036	30"	36"

DIMENSIONS ARE TYPICAL (TOL. +/- 1/2")